



# 400 SERIES

## PAINT BOOTH LIGHTING

DATE: _____	PROJECT MGR: _____
JOB: _____	
CAT#: _____	
TYPE: _____	



- TASK ①
- PAINTBOOTH ②**
- VAPOR DUST ③
- VAPOR ④
- WET DAMP ⑤
- MARINE ⑥
- EXPLOSION PROOF ⑦
- HID ⑧
- INSPECTION ⑨
- PORTABLE LIGHTING ⑩
- MOUNTING ⑪
- PHOTOMETRY ⑫
- LAMPS BALLASTS ⑬
- INFO ⑭
- CUSTOM ⑮
- ASK THE EXPERT ⑯

### DESCRIPTION

The 400 Series Rear Access product is an ideal paint spray booth product when a rear access fixture is desired. The 400 Series is also a Vapor proof product with an ETL listing of Class I Division 2 rating. This series now has 2' fixture as well as the 4' fixture cataloged. The 4' fixture comes in 2, 4 & 6 lamp T8 32W, T8HO 44W, & T5HO 54W lamps. The 2' - 3 lamp fixture uses (3) T8 17W lamps.

### SPECIFICATIONS

- LISTINGS:**
  - Meets UL 844 Standards for Hazardous Locations.
  - Meets NFPA 33 Standards for Spray Applications using Flammable or Combustible Materials.
  - ETL listed for U.S. and Canada
  - Class I Division 2 Groups A,B,C,D
  - T3C (160 degree C) Operating Code
  - Class II Division 2 Groups F,G
  - T3C (160 degree C) Operating Code
  - Listed for locations having deposits of readily combustible paint residues.
  - UL Class I Division 2 Groups A,B,C,D for the 421 & 441 series T8 32W only.
- FEATURES:**
  - Piano hinged rear access fixture - easy relamping.
  - Telescopic/Spring loaded lamp holders
- HOUSING:**
  - 20 gauge enclosed & gasketed steel construction with white baked enamel finish which creates a durable, highly reflective finish.
- LENS:**
  - 3/16" Clear tempered glass.
- ELECTRICAL:**
  - 120-277 Volt universal ballast
  - 347 Volt ballast available in the
  - T8 32W 4' - 2 & 4 lamp fixtures
  - T8 17W 2' 3 lamp fixtures
- APPLICATIONS:**
  - Paint Spray Booth lighting.
  - Vapor Proof Applications
- OPTIONS:**
  - All Options Ordered Separately**
  - 5901: 8 Ft. 3-wire whip





# 400 SERIES

## PAINT BOOTH LIGHTING

### PART NUMBERS

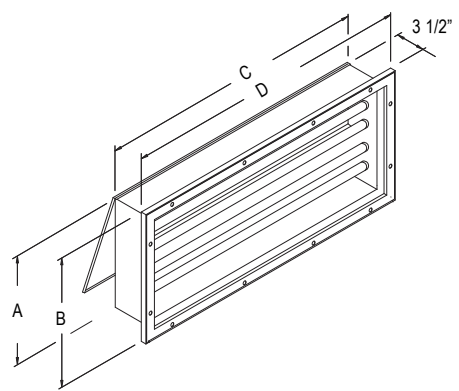
TASK	Series	Watt	Lamp Qty	Hub	Order #	3546	3613	3726	1744	1766	4156	3794	3265	5420	Voltage	
1 PAINTBOOTH	390231 (2 ft. 3 lamp)	17W T8	3	1/2" NPT	390231	3546										120-277 Volts 50/60 Hz
3 VAPOR DUST	390421 (4 ft. 2 lamp)	32W T8	2	1/2" NPT	390421	3613										120-277 Volts 50/60 Hz
4 VAPOR			2	1/2" NPT	390421347	3276										347 Volts 60 Hz
5 WET DAMP		32W T8HLO	2	1/2" NPT	390421120	1744										120 Volts 50/60 Hz
6 MARINE			2	1/2" NPT	390422771	1766										277 Volts 50/60 Hz
7 EXPLOSION PROOF		44W T8HO	2	1/2" NPT	390421120	4156										120 Volts 60 Hz
8 HID			2	1/2" NPT	390421277	3794										277 Volts 60 Hz
9 INSPECTION		54W T5HO	2	1/2" NPT	390421	3265										120-277 Volts 50/60 Hz
10 PORTABLE LIGHTING			2	1/2" NPT	390421	5420										347-480 Volts 50/60 Hz
11 MOUNTING	390441 (4 ft. 4 lamp)	32W T8	4	1/2" NPT	390441	3546										120-277 Volts 50/60 Hz
12 PHOTOMETRY			4	1/2" NPT	390441347	3125										347 Volts 60 Hz
13 LAMPS BALLASTS		32W T8HLO	4	1/2" NPT	390441120	1744										120 Volts 50/60 Hz
14 INFO			4	1/2" NPT	390441277	1766										277 Volts 50/60 Hz
15 CUSTOM		44W T8HO	4	1/2" NPT	390441120	4157										120 Volts 60 Hz
16 ASK THE EXPERT			4	1/2" NPT	390441277	3792										277 Volts 60 Hz
		54W T5HO	4	1/2" NPT	390441	4843										120-277 Volts 50/60 Hz
			4	1/2" NPT	390441	5421										347-480 Volts 50/60 Hz
	390461 (4 ft. 6 lamp)	32W T8	6	1/2" NPT	390461	3546										120-277 Volts 50/60 Hz
			6	1/2" NPT	390461347	3125										347 Volts 60 Hz
		32W T8HLO	6	1/2" NPT	390461120	3124										120 Volts 50/60 Hz
			6	1/2" NPT	390461277	3277										277 Volts 50/60 Hz
		44W T8HO	6	1/2" NPT	390461120	4157										120 Volts 60 Hz
			6	1/2" NPT	390461277	3792										277 Volts 60 Hz
		54W T5HO	6	1/2" NPT	390461	3265										120-277 Volts 50/60 Hz
			6	1/2" NPT	390461	5420										347-480 Volts 50/60 Hz



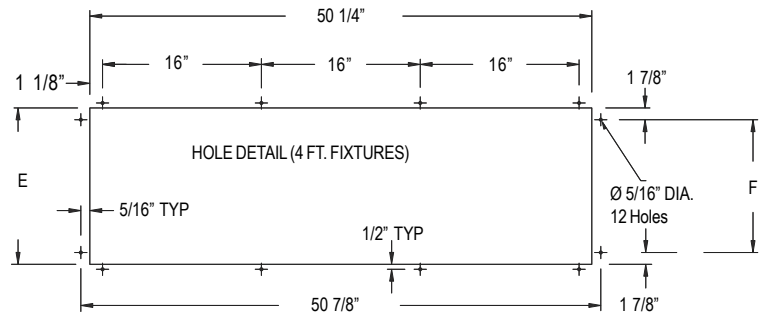
LAMPS SOLD SEPARATELY (Multiple voltages available, consult factory)

### DIMENSIONS

Mounting - See Page 11.8



MODEL	FIXTURE DIMENSIONS				MOUNTING DIMENSIONS	
	A	B	C	D	E	F
390421	10"	12 1/2"	50"	52 3/8"	10 3/4"	7"
390441	15"	17 1/2"	50"	52 3/8"	15 3/4"	12"
390461	20"	22 1/2"	50"	52 3/8"	20 3/4"	17"



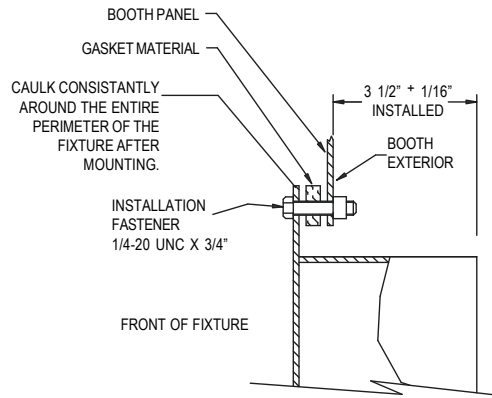
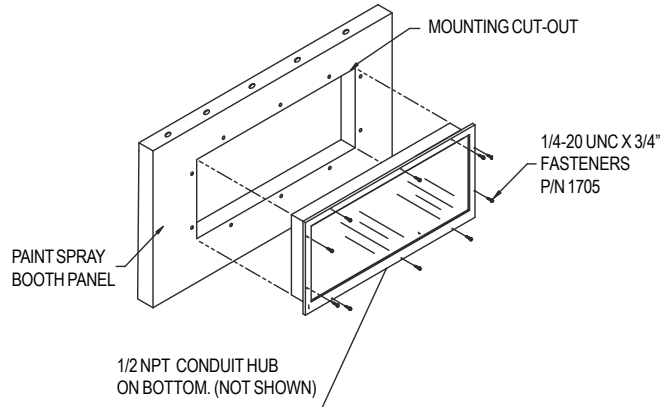


# MOUNTING

FOR LDPI, INC. FIXTURES

## 400 Rear Access Series

- ① TASK
- ② PAINTBOOTH
- ③ VAPOR DUST
- ④ VAPOR
- ⑤ WET DAMP
- ⑥ MARINE
- ⑦ EXPLOSION PROOF
- ⑧ HID
- ⑨ INSPECTION
- ⑩ PORTABLE LIGHTING
- ⑪ MOUNTING**
- ⑫ PHOTOMETRY
- ⑬ LAMPS BALLASTS
- ⑭ INFO
- ⑮ CUSTOM
- ⑯ ASK THE EXPERT



MOUNTING HOLE DIMENSIONS

